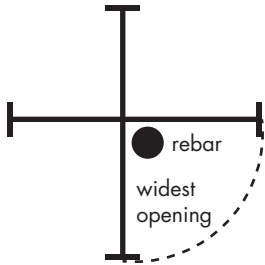




pile protection tops

Model: OS2P Non-Metallic (Plastic) Centralizers/Footballs

For reinforcement bar alignment within Micro Piles,
Auger Cast Piles, Drilled Shafts and Caissons.



DESIGN:

This open-sided or offset design falls into place quickly on your single reinforcing bar or threaded rod. It is engineered for a #7 (22 mm) to #11 (36 mm) bar with only 1/4" (.0625 cm) off center variance.

INSTALLATION:

Two-piece design assembles in less than five second, cutting labor time.

Installation recommendations online.
Wire Tie or 120 Test Zip Ties available.
Plus High-Tension Gun with cut-off.

CURRENT SIZES: 11" and 15" O.D.

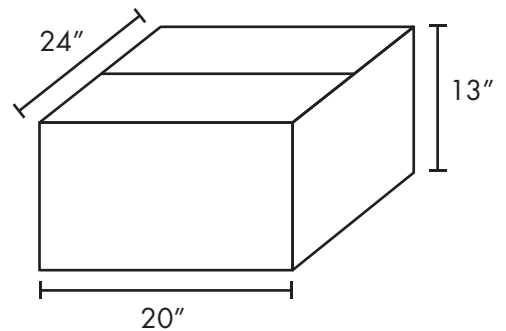
SPACING RECOMMENDATIONS:

24" from bottom, then every 15 feet –
up to 24" from grade or top

Made from super strong (PC-ABS)
Plastic, Conforms to ASTM-D 4101
Specific Gravity: 1.12
Tensile Stress: 6.841 PSI
IZOP Impact: 484(J-M)

SHIPPING:

Ships efficiently from our central location!
Compact boxes at 20"x24"x13" 25 lbs.



CASE COUNT: 40

SKID COUNT: 1000 (25 cases)

Made in the U.S.A.

Patent # 9,249,575

800 SOUTHWEST BLVD. | P.O. BOX 3153 | KANSAS CITY, KS 66103 | 913-207-2460 | www.pptkc.com

KEEP US IN MIND FOR YOUR OTHER PILE FINISHING SUPPLIES:

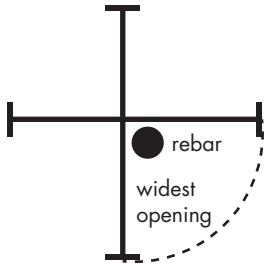
Pile Tops | Spacer Wheels | Auger Corks | Rebar Caps and Boots



pile protection tops

Model: OS2M Carbon Steel Centralizers/Footballs

For reinforcement bar alignment within Micro Piles, Auger Cast Piles, Drilled Shafts and Caissons.



DESIGN:

Thin profile slips through quick setting grout with ease!

Fully assembled – Installs in seconds! See installation recommendations online.

INSTALLATION:

Four integrated, 8" 16 gauge wire tie fasteners attached.

SIZES: 7" through 48" O.D. fit #7-#11 bar

STOCK SIZES: 9, 11, 13, 15, 17, 23"

Custom offset for oversized bars available

Medium Duty: 3/16" O.D. Rod for 7-11"

Heavy Duty: 1/4" O.D. Rod for 12-29"

SPACING RECOMMENDATIONS:

24" from bottom, then every 15 feet – up to 24" from grade or top

SHIPPING:

Ships efficiently from our central location! Footballs easily nest together for shipping:



Full Skid Size: 40"x48"x 36" – 72" Tall

FULL SKID COUNTS:

9" – 1500

15" – 500

11" – 1440

17" – 225

13" – 750

23" – 150

Made in the U.S.A.

Patent # 9,249,575

800 SOUTHWEST BLVD. | P.O. BOX 3153 | KANSAS CITY, KS 66103 | 913-207-2460 | www.pptkc.com

KEEP US IN MIND FOR YOUR OTHER PILE FINISHING SUPPLIES:

Pile Tops | Spacer Wheels | Auger Corks | Rebar Caps and Boots