



pile protection tops

## Option3 + 3a Centralizers

### FUNCTION

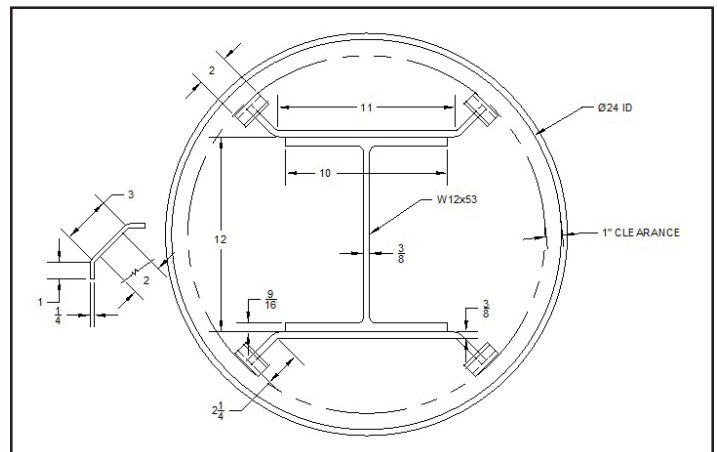
Our proven system for centering your "W," "H," or "I" beams in large diameter foundation piles, secant piles and caissons are one of a kind. Provide us with the shafts I.D. and beam size and we will produce a CAD drawing with detailed pricing so you can be assured that "on center" is achieved at installation.

### DESIGN

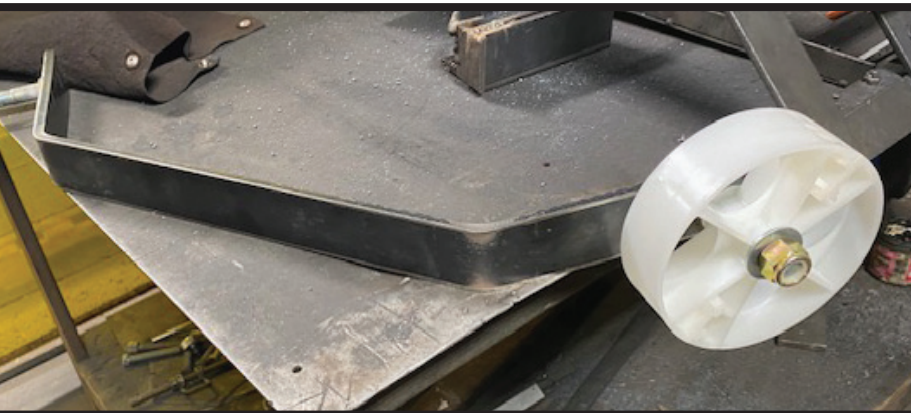
As seen in the photos, a set of steel ARMs are made to your exact specifications and used with wheels or steel skis on the bent ends. For uncased shafts we recommend the wheels option and with steel case shafts we suggest using the steel skis. On-site welding required for both options, wheel option requires more on-site assembly and welding.

### MATERIALS

Typically made from 3/8" x 2" hot rolled MS. ASTM-36 flat bar. Skis made from 1/4" steel. Wheels are an HD, 2" wide locking model. Wheel model includes Grade 5 hex head bolts, flat washers and lock-nuts.



Sample CAD drawing based on customer provided specifications.



800 SOUTHWEST BLVD. | P.O. BOX 3153 | KANSAS CITY, KS 66103 | 913-207-2460 | [www.pptkc.com](http://www.pptkc.com)

Keep us in mind for your other pile finishing supplies:

Pile Tops | Spacer Wheels | Centralizers | Auger Corks | Rebar Caps and Boots